

Pressure and Temperature Relief Valves

Scope of Use / Specification Sheet

RMC's Pressure and Temperature (P&T) Relief Valves are safety controls for unvented water heaters. They ensure that the pressure and temperature of the water do not exceed 99°C in the event the normal thermostatic controls fail.

Product List

Model	Size	Order Code				
		500kPa	700kPa	850kPa	1000kPa	1400kPa
HT55X	15mm	HTX1501	HTX1502	HTX1505	HTX1511	HTX1518
HTE55X-1	15mm	-	HTEX1501	HTEX1502	HTEX1504	HTEX1509
HTE55X-2	15mm	-	-	HTEX1503	HTEX1506	HTEX1510
HTT55X-1	15mm	-	HTTX1501	HTTX1502	HTTX1504	HTTX1505
HT575X	20mm	HTX2001	HTX2002	HTX2004	HTX2005	HTX2006
HTE575X-1	20mm	-	-	HTEX2001	HTEX2003	HTEX2007
HTE575X-2	20mm	-	-	HTEX2002	HTEX2004	-

Materials

Body	Lead Free DZR Brass
Internal Parts	Brass and Polysulfone
Seat Disc	Silicone Rubber Compound
Pressure Spring	Stainless Steel
Thermal Element	Wax-based
Aux. Pressure Relief Device	Nylon

Description

These valves may be used to guard against over-heating and over-pressure hazards wherever water is stored in unvented containers. This is a requirement of Australian Standard AS/NZS 3500-4.

RMC P&T Relief Valves are available in 15mm and 20mm configurations.



HTX1518

Features and Benefits

- Auxiliary pressure relief device
- Prevents pressure building up in the event of a blockage in the drain line
- Female BSP thread on outlet thread prevents incorrect installation to the tank
- Plastic coated temperature probe prevents electrolysis of the probe outer casing
- Dezincification resistant
- Meets Australian Standard for potable water supply
- Sealed spring cavity prevents spring from seizing in the event of calcification
- Suitable for horizontal or vertical installation
- Individually tested and calibrated
- Every valve is tested to ensure high quality and performance

Standards and Approvals



Lead Free

AS 1357.1
WMKA 0938

Pressure and Temperature Relief Valves

Technical Specifications

Model	Inlet (M) mm	Outlet (F) mm	Hot water take-off (compression)	kW Capacity	Max Temp.
HT55X	R½	G½		10 kW	99°C
HTE55X-1	R½	G½		10 kW	99°C
HTE55X-2	R½	G½		10 kW	99°C
HTT55X-1	R½	G½	DN15Cn	10 kW	99°C
HT575X	R¾	G¾		46 kW	99°C
HTE575X-1	R¾	G¾		46 kW	99°C
HTE575X-2	R¾	G¾		30 kW	99°C

Standard Pressure Settings Available (kPa)

Model	500	700	850	1000	1400
HT55X	✓	✓	✓	✓	✓
HTE55X-1		✓	✓	✓	✓
HTE55X-2			✓	✓	✓
HTT55X-1		✓	✓	✓	✓
HT575X	✓	✓	✓	✓	✓
HTE575X-1			✓	✓	✓
HTE575X-2			✓	✓	

Notes

- 1 It is recommended that the easing lever be actuated every six months to prevent accumulation of mineral deposits that may impair valve operation. Lever should be operated smoothly as a sudden influx of water may cause the auxiliary pressure relief device to activate.
- 2 The Drain Line must be compliant with AS/NZS 3500. Failure to provide adequate drainage may result in premature activation of the auxiliary pressure relief device.
- 3 Insulation is available for all Pressure and Temperature Relief Valves.

Warranty

Reliance Worldwide Corporation (Aust.) Pty. Ltd. (RWC) will either replace or repair any defective goods where the defect arose as a result of manufacture within the warranty period. You may contact RWC at the phone number, address or e-mail shown below for further information or to make a claim.

Visit www.rmc.com.au/warranty to view the warranty statement in full and for further important information.

Application

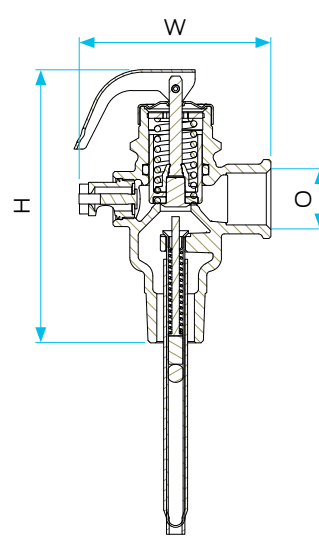
The Pressure and Temperature Relief (P&T Relief) Valve should be installed at the heater. The system inlet pressure should be no higher than 80% of the set pressure of the P&T Relief Valve.

Please ensure that the set pressure of the High Pressure Expansion Control Valve is suitable for use with the water heater it will be installed with. For more information refer to the RMC Valve Application Guide.

Dimensions

Model	Width (W)	Height (H)	Outlet (O)
HT55X	68	98	DN15
HTE55X-1	68	121	DN15
HTE55X-2	68	144	DN15
HTT55X-1	73	121	DN15
HT575X	73	99	DN20
HTE75X-1	73	121	DN20
HTE75X-2	73	144	DN20

Note: All measurements in mm unless otherwise stated.



Installation

Installation is subject to the requirements of the applicable regulatory authority, the National Construction Code Volume Three – Plumbing Code of Australia, associated reference standards as applicable at the time and AS/NZS 3500. This product is compliant to the Lead Free requirements of the National Construction Code Volume Three. For further Scope of Use, please visit www.rmc.com.au/resources.