

Tapping Bands

Scope of Use / Specification Sheet

The RMC Tapping Band Range delivers proven performance, in a proven design. The range comes in sizes from 40 to 600mm, with take-offs from 20 to 50mm.



Coated Tapping Saddles for DI and CI Pipe

Order Code	Description
TBRX001**	100mm x 20mm SURESEAL Coated Tapping Band
TBRX002**	100mm x 25mm SURESEAL Coated Tapping Band
TBRX003**	150mm x 20mm SURESEAL Coated Tapping Band
TBRX004**	150mm x 25mm SURESEAL Coated Tapping Band

Tapping Saddles – Maintenance Type

Order Code	Description
12342+	80mm x 25mm Tapping Band
12351+	100mm x 20mm Tapping Band
12352+	100mm x 25mm Tapping Band
12355+	100mm x 50mm Tapping Band
12371+	150mm x 20mm Tapping Band
12372+	150mm x 25mm Tapping Band
12375*+	150mm x 50mm Tapping Band
12392+	225mm x 25mm Tapping Band
12395*+	225mm x 50mm Tapping Band
12397+	300mm x 25mm Tapping Band
12400*+	300mm x 50mm Tapping Band

Installation

Installation is subject to the requirements of the applicable regulatory authority, the National Construction Code Volume Three – Plumbing Code of Australia, associated reference standards as applicable at the time and AS/NZS 3500. This product is compliant to the Lead Free requirements of the National Construction Code Volume Three. For further Scope of Use, please visit www.rmc.com.au/resources.

Features and Benefits

- Quality guaranteed, WaterMark approved product
- WaterMark Lead Free – AS/NZS 4793
- Lip type seal AS 1646
- Lead free brass body
- Stainless Steel (316) bolts
- Maximum operating pressure 1.9 MPa
- Ease of installation and reduced leakage due to its patented lip seal
- Long life performance, through its high quality components
- Light weight construction for ease of handling
- Type F Series 1
- Type R
- Coated

Notes

- Maintenance Types are excluded from the current standard for use on AC or oversized AC pipe
- Product material configuration may vary over size range
- Items marked with '*' indicate reducing bushes are to be used to accommodate smaller off-takes
- Items marked with '**' indicate standard with s/s bolts
- Items marked with '+' indicates approved utility use only. No WaterMark
- Insulation may be required for Bi-Metallic contact

Tapping Bands

Tapping Saddles for AC and Compatible Pipe – Series 2

Model	Product Code
58mm x 20mm	TBRX581 **
58mm x 25mm	12138 **
80mm x 20mm	TBRX801 **
80mm x 25mm	TBRX802 **
80mm x 50mm	TBRX805 **
100mm x 20mm	TBRX1001 **
100mm x 25mm	TBRX1002 **
100mm x 32mm	TBRX1003 **
100mm x 40mm	TBRX1004 **
100mm x 50mm	TBRX1005 **
150mm x 20mm	TBRX1501 **
150mm x 25mm	TBRX1502 **
150mm x 32mm	TBRX1503 **
150mm x 40mm	TBRX1504 **
150mm x 50mm	TBRX1505 **
200mm x 20mm	TBRX2001 **
200mm x 25mm	TBRX2002 **
200mm x 50mm	TBRX2005 **
225mm x 20mm	TBRX2251
225mm x 25mm	TBRX2252
225mm x 50mm	TBRX2255
250mm x 20mm	TBRX2501
250mm x 25mm	TBRX2502
250mm x 50mm	TBRX2505
300mm x 20mm	TBRX3001
300mm x 25mm	TBRX3002
300mm x 50mm	TBRX3005
375mm x 20mm	12231+
375mm x 25mm	12232+
375mm x 50mm	12235+
450mm x 50mm	12245+
500mm x 50mm	12255+
600mm x 50mm	12275+

Standards and Approvals



Lead Free

AS/NZS 4793
WMK025661

Note: Items marked with a '+' are for approved utility use only. No WaterMark.



rmc.com.au | 1800 810 803 | sales.au@rwc.com

Reliance Worldwide Corporation (Aust.) Pty. Ltd. reserves the right to change any product specification or information contained in this publication at any time and without notice. All diagrams are illustrative only. Please consult OEM instructions and AS/NZS 3500 for all installations. ABN 71 004 784 301 | EPK0041_2024_v1

Tapping Saddles – White PVC Series 1

Model	Product Code
50mm x 25mm	TBFX502 **
63mm x 20mm Poly	TBFX631 **
63mm x 25mm Poly	TBFX632 **
80mm x 20mm	TBFX801 **
80mm x 25mm	TBFX802 **
80mm x 40mm	TBFX804 **
80mm x 50mm	TBFX805 **
100mm x 20mm	TBFX1001 **
100mm x 25mm	TBFX1002 **
100mm x 32mm	TBFX1003 **
100mm x 40mm	TBFX1004 **
100mm x 50mm	TBFX1005 **
150mm x 20mm	TBFX1501 **
150mm x 25mm	TBFX1502 **
150mm x 32mm	TBFX1503 **
150mm x 40mm	TBFX1504 **
150mm x 50mm	TBFX1505 **
200mm x 20mm	TBFX2001
200mm x 25mm	TBFX2002
200mm x 40mm	TBFX2004
200mm x 50mm	TBFX2005 *
225mm x 20mm	TBFX2251
225mm x 25mm	TBFX2252
250mm x 20mm	TBFX2501
250mm x 25mm	TBFX2502
250mm x 50mm	TBFX2505 *
300mm x 20mm	TBFX3001
300mm x 25mm	TBFX3002
300mm x 50mm	TBFX3005 *

Warranty

Reliance Worldwide Corporation (Aust.) Pty. Ltd. (RWC) will either replace or repair any defective goods where the defect arose as a result of manufacture within the warranty period. You may contact RWC at the phone number, address or e-mail shown below for further information or to make a claim.

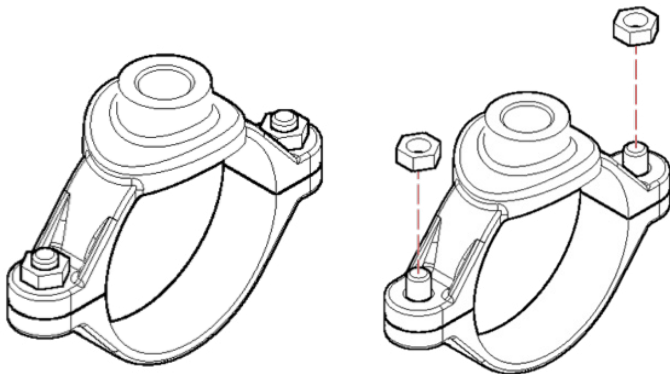
Visit www.rmc.com.au/warranty to view the warranty statement in full and for further important information.

Tapping Bands

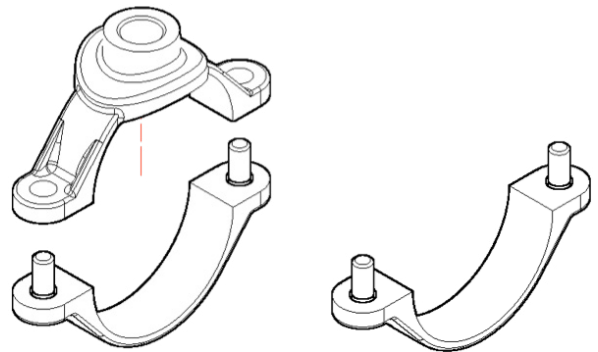
Installation Instructions

RMC Tapping Bands are available for Type F Series 1 pipe, up to size DN300 and Type R AC pipe, up to size DN600.

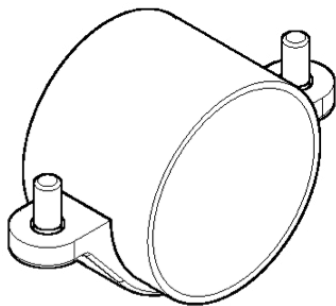
1 Undo and remove retaining nuts.



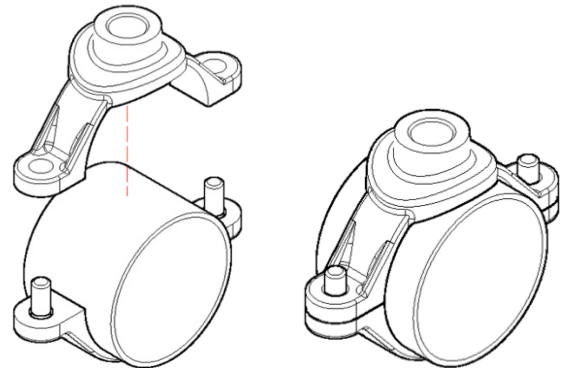
2 Remove top half and seal. Bolts are retained in bottom half by locating seals.



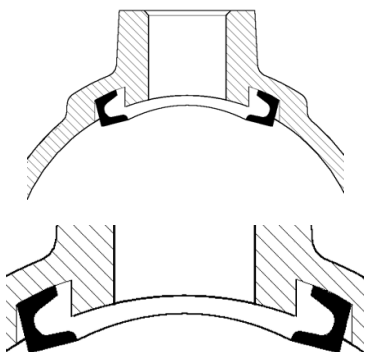
3 Hold bottom half underneath pipe. Ensure pipe area is clean, smooth and free from damage or defects.



4 Place top half of Tapping Band over pipe. Locate bolt holes in top half into bolts in bottom half.



5 Make sure seal is correctly located in top half, with curved lip sealing on pipe.



6 Tighten nuts evenly, maximum tightening torque 30Nm. Take care not to damage or distort pipe.

